

ENERGY POWER

MARKETED BY
 **ENERGY**
 BATTERY GROUP INC.

561 Thornton Road, Suite J
 Lithia Springs, GA 30122
 1-888-823-0954

www.energybattery.com

EP-SLA12-4D DT

12V 200 AMP HR

FEATURES:

- Superior performance with Absorbent Glass Mat (AGM) technology
- Safe operation with valve regulated, spill proof construction
- Unrivalled performance of delivered energy of any battery in its class
- UL Certified under file # MH47790
- Rugged impact resistant ABS case and cover
- Ease of movement with integrated ABS carrying handles
- Approved for transport by air. D.O.T., I.A.T.A., F.A.A. and C.A.B. certified

To ensure safe and efficient operations please refer to www.energybattery.com. All specifications subject to change without notice.



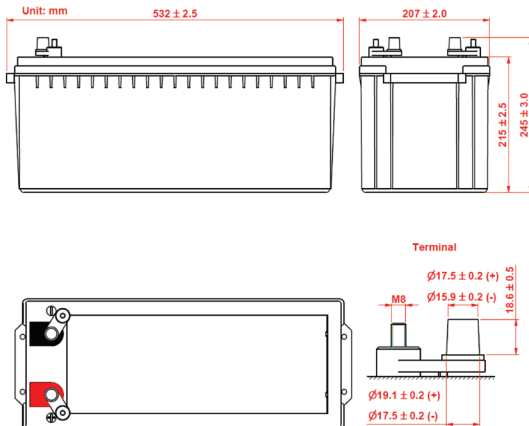
SEALED RECHARGEABLE BATTERY



TERMINALS (mm):

Car terminal and M8 bolt

Tolerance +/- 0.2mm. All data subject to change without notice.



PHYSICAL DIMENSIONS:

	inches	mm
L:	9.65	245
W:	8.46	215
H:	20.94	532
HT:	8.15	207

Tolerance +/- 2mm - 3mm. All data subject to change without notice.

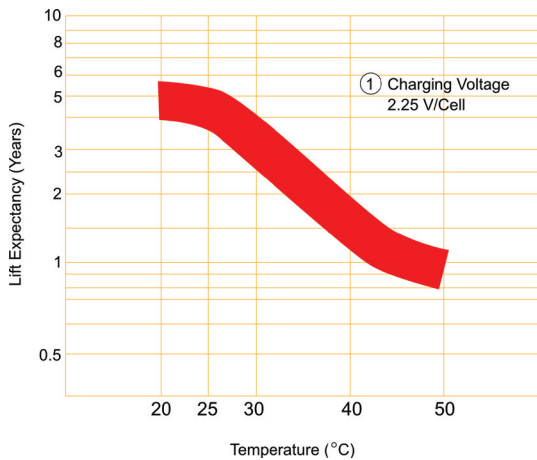
PERFORMANCE SPECIFICATIONS:

Nominal Voltage 1.75V/cell
Capacity (@20hr-rate to 1.75V per cell @ 77°F (25°C)) 200 Ah
Approximate Weight 117.7 lbs (53.5 kgs)
Internal Resistance (approx.) 3.5 milliohms
Recommended Maximum Charging Current Limit: 60A
Maximum Discharge Current 1600A (5sec)
Case ABS Plastic

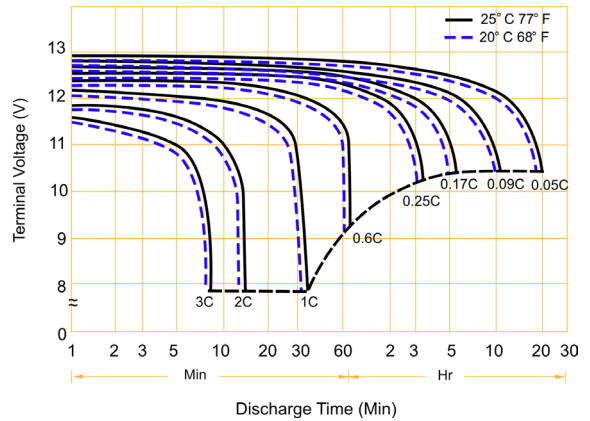
Capacity Affected by Temperature (at 20 hour rate)
 40°C 102%
 25°C 100%
 0°C 85%
 -15°C 65%

Self-discharge (remaining capacity % at 25°C)
 3 Months 91%
 6 Months 82%
 12 Months 64%

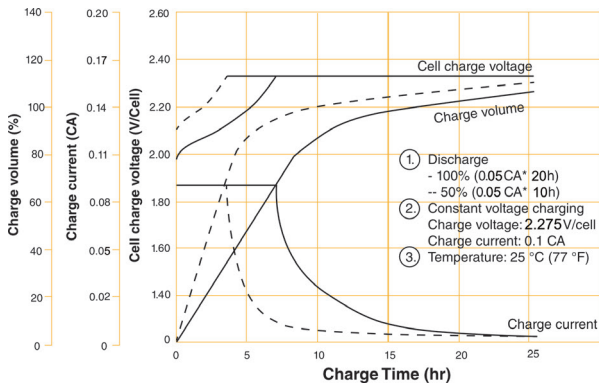
TRICKLE (OR FLOAT) SERVICE LIFE



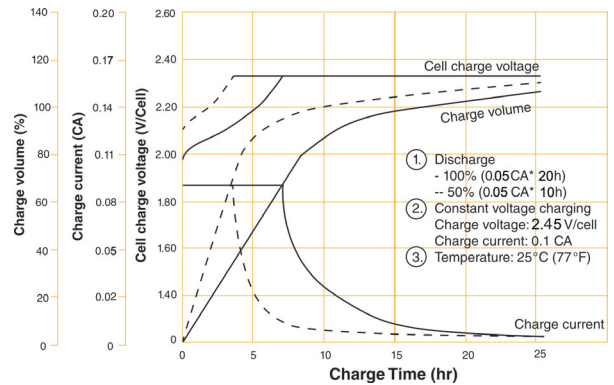
TERMINAL VOLTAGE AND DISCHARGE TIME



BATTERY CHARGING CHARACTERISTICS FOR STANDBY USE



BATTERY CHARGING CHARACTERISTICS FOR CYCLIC USE



BATTERY CHARGE CHARACTERISTICS FOR CYCLE USE & STAND-BY USE

Application	Charge Voltage (V/Cell)			Max. charging current (CA)
	Temperature	Set Point	Allowable Range	
For standby power source	25°C (77°F)	2.275	2.25~2.30	0.3C
For cycle service	25°C (77°F)	2.450	2.40~2.50	0.3C



MARKETED BY



561 Thornton Road, Suite J, Lithia Springs, GA 30122
 1-888-823-0954 • www.energybattery.com

005624-12-4D DT