

# ENERGY POWER



MARKETED BY  
1800 Roswell Road, Suite #2200  
Marietta, GA 30062  
1-888-823-0954

www.energybattery.com

## EP-SLA12-180 FT

12V 180 AMP H

### FEATURES:

- Superior performance with Absorbent Glass Mat (AGM) technology
- Safe operation with valve regulated, spill proof construction
- Unrivalled performance of delivered energy of any battery in its class
- UL Certified under file # MH47790
- Rugged impact resistant ABS case and cover
- Ease of movement with integrated ABS carrying handles
- Approved for transport by air. D.O.T., I.A.T.A., F.A.A. and C.A.B. certified

*To ensure safe and efficient operations please refer to [www.energybattery.com](http://www.energybattery.com). All specifications subject to change without notice.*



SEALED RECHARGEABLE BATTERY

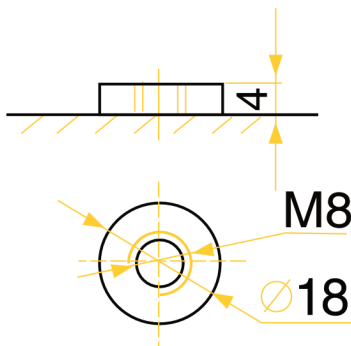


### TERMINALS (mm):

#### Bolt

Recessed type

Tolerance +/- 0.1mm. All data subject to change without notice.



### PHYSICAL DIMENSIONS:

	inches	mm
L:	22.09	561
W:	4.92	125
H:	12.44	316
HT:	12.44	316

Tolerance +/- 2mm. All data subject to change without notice.

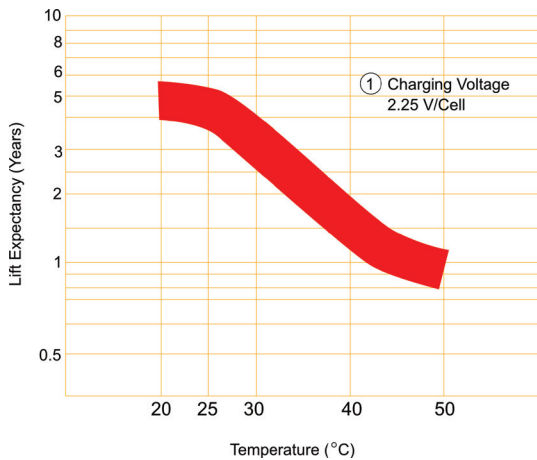
# PERFORMANCE SPECIFICATIONS:

**Nominal Voltage** ..... 1.80V/cell  
**Nominal Capacity (25°C (77°F))**  
 10-hr. F.V.(1.80V/cell) ..... 180.00 Ah  
**Approximate Weight** ..... 119.05 lbs (54.00 kgs)  
**Internal Resistance (approx.)**..... 3.5 milliohms  
**Case**..... ABS Plastic

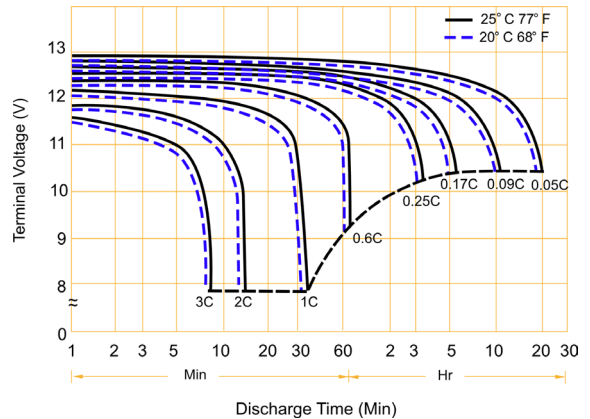
**Capacity Affected by Temperature (at 20 hour rate)**  
 40°C..... 102%  
 25°C..... 100%  
 0°C ..... 85%  
 -15°C ..... 65%

**Self-discharge (remaining capacity % at 25°C)**  
 3 Months..... 91%  
 6 Months..... 82%  
 12 Months..... 64%

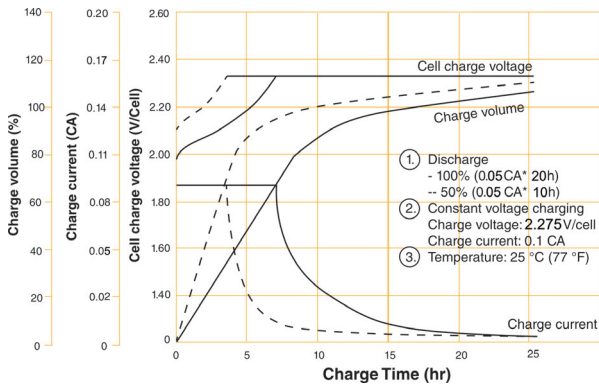
## TRICKLE (OR FLOAT) SERVICE LIFE



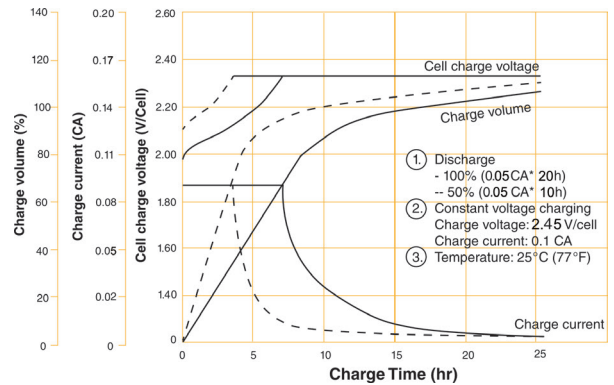
## TERMINAL VOLTAGE AND DISCHARGE TIME



## BATTERY CHARGING CHARACTERISTICS FOR STANDBY USE



## BATTERY CHARGING CHARACTERISTICS FOR CYCLIC USE



## BATTERY CHARGE CHARACTERISTICS FOR CYCLE USE & STAND-BY USE

Application	Charge Voltage (V/Cell)			Max. charging current (CA)
	Temperature	Set Point	Allowable Range	
For standby power source	25 C	2.275	2.25~2.30	0.3C
For cycle service	25 C	2.450	2.40~2.50	0.3C

